

# 4 Series - Micro Diaphragm Air / Vacuum Pump

## Model:BD-04A/BD-04V

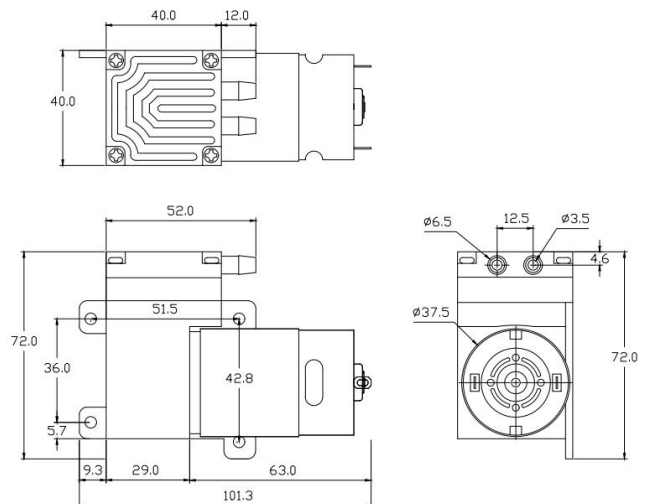
Pneumatic Data	
Maximum Vacuum	-75~-80 kPa
Pressure	2.5-3.5bar
Maximum Flow(@0 kPa)	7-22L/min
Electrical Data	
Motor Type	DC Brush Motor
Rated Voltage	12V / 24V DC
No-load Current	≤0.8 A
Noise From 30cm	63 dB
Working Mode	Intermittent
Life Time	1000 hours
Other Data	
Inlet/Outlet Diameter	Φ6.5 mm/Φ3.5 mm
Dimensions	101.3x72x52 mm
Weight	305 g
Pump Head/Body Material	Nylon
Diaphragm And Valve Material	EPDM
Operating Environment Temperature	5-45℃



### Features

- Miniature diaphragm air vacuum pump, small size , maintenance-free
- Precise production, high flow, high vacuum
- Brush motor, operation life of more than 1000 hours.

### Dimensional Outline Drawing (Unit:mm)



### Accessories Optional

Check Valve, Silicone Shock Bracket, Muffler



### Usage and Attention

- 1.Red point or red wire on motor marked as Positive pole; Black wire on motor marked as negative pole.
- 2.Expected lifetime: approx 1000 hours with continuous running under condition of rated voltage and normal temperature (25℃), it is recommended to work continuously for no more than 30 minutes each time.
3. Please do not exceed the maximum specifications required , Otherwise we don't guarantee the product.
4. This product does not guarantee lifetime and defective products due to get into of dust, water droplets, bugs.
5. Impurities in prohibited from entering the motor and water droplets, In order to avoid to cause product performance unstable and damage products.

# 4 Series - Micro Diaphragm Air / Vacuum Pump

## Model:BD-04VB/BD-04AB

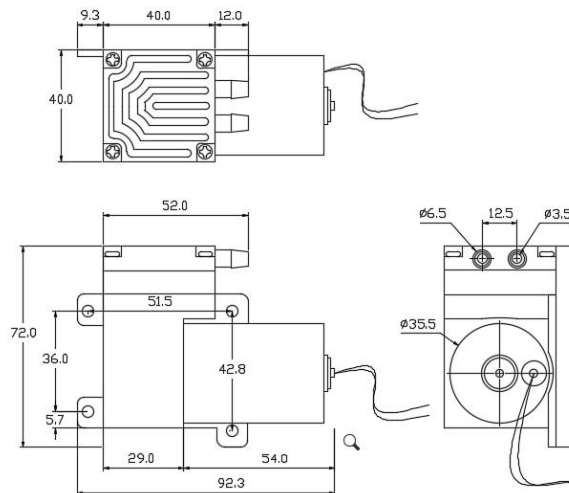
Pneumatic Data	
Maximum Pressure	2.5-3.5bar
Maximum Vacuum	-75~-80 kPa
Maximum Flow(@0 kPa)	7-22L/min
Electrical Data	
Motor Type	DC Brushless Motor
Rated Voltage	<b>12V / 24 V DC</b>
No-load Current	≤0.8 A
Noise From 30cm	63 dB
Working Mode	Continuous or Intermittent
Life Time	5000 hours
Other Data	
Inlet/Outlet diameter	Φ6.5 mm/Φ3.5 mm
Dimensions	92.3x72x52 mm
Weight	305 g
Pump Head/Body Material	Nylon
Diaphragm And Valve Material	EPDM
Operating Environment Temperature	5-45℃



### Features

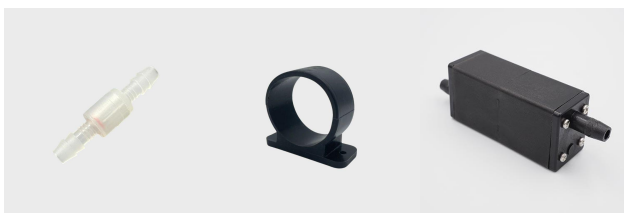
- Miniature diaphragm air vacuum pump, small size , maintenance-free
- Precise production, high flow, high vacuum
- Brushless motor, operation life of more than 5000 hours.

### Dimensional Outline Drawing (Unit:mm)



### Accessories Optional

Check Valve, Silicone Shock Bracket, Muffler



### Usage and Attention

- 1.Red point or red wire on motor marked as Positive pole; Black wire on motor marked as negative pole.
- 2.Expected lifetime: approx 5000 hours with continuous running under condition of rated voltage and normal temperature (25℃), it is recommended to work continuously for no more than 2 hours each time.
3. Please do not exceed the maximum specifications required , Otherwise we don't guarantee the product.
4. This product does not guarantee lifetime and defective products due to get into of dust, water droplets, bugs.
5. Impurities in prohibited from entering the motor and water droplets, In order to avoid to cause product performance unstable and damage products.

# 7 Series - Small Piston Air Pump

## Model:BD-07A/BD-07V

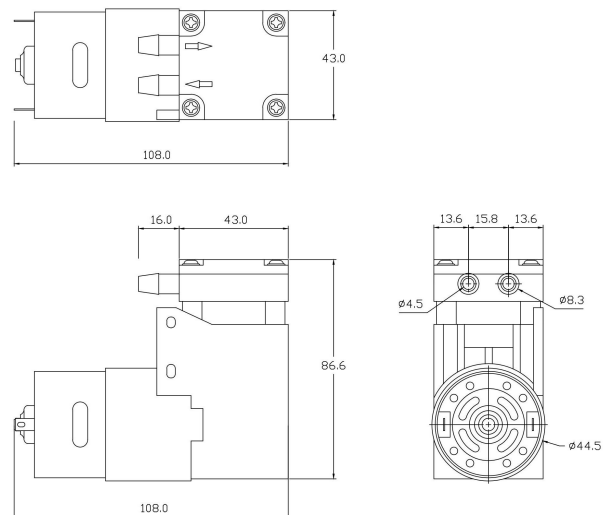
Pneumatic Data	
Maximum Vacuum	-80~-85 kPa
Maximum Pressure	4.5-6.5bar
Maximum Flow(@0 kPa)	15-40L/min
Electrical Data	
Motor Type	DC Brush Motor
Rated Voltage	<b>12V / 24VDC</b>
No-load Current	≤ 4 A
Noise From 30cm	68 dB
Working Mode	Intermittent
Life Time	1000 hours
Other Data	
Inlet/Outlet Diameter	Φ4.5 mm/Φ8.3 mm
Dimensions	108x86.6x43 mm
Weight	580 g
Pump Head/Body Material	PPS
Valve Material	EPDM
Operating Environment Temperature	5-45℃



### Features

- Miniature piston air vacuum pump, small size , maintenance-free
- Precise production, oilless, high flow, high pressure
- Brush motor, operation life of more than 1000 hours.

### Dimensional Outline Drawing (Unit:mm)



### Accessories Optional

Check Valve, Silicone Shock Bracket, Muffler



### Usage and Attention

- 1.Red point or red wire on motor marked as Positive pole; Black wire on motor marked as negative pole.
- 2.Expected lifetime: approx 5000 hours with continuous running under condition of rated voltage and normal temperature (25℃), it is recommended to work continuously for no more than 2 hours each time.
3. Please do not exceed the maximum specifications required , Otherwise we don't guarantee the product.
4. This product does not guarantee lifetime and defective products due to get into of dust, water droplets, bugs.
5. Impurities in prohibited from entering the motor and water droplets, In order to avoid to cause product performance unstable and damage products.

# 7 Series - Small Piston Air Pump

## Model:BD-07AB/BD-07VB

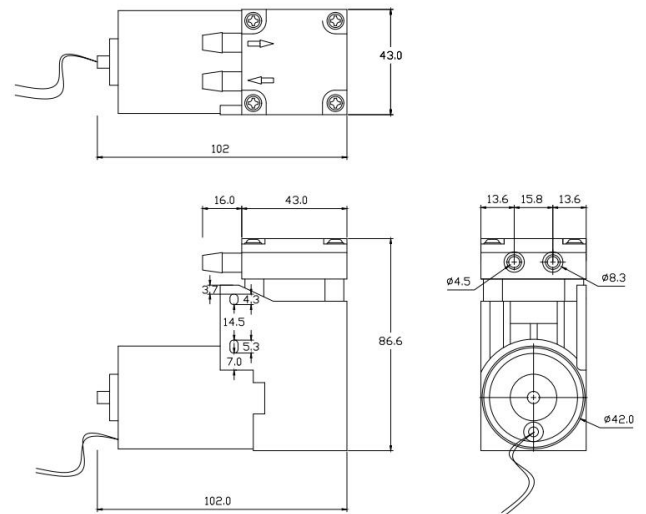
Pneumatic Data	
Maximum Vacuum	-80~-85 kPa
Maximum Pressure	4.5-6.5bar
Maximum Flow(@0 kPa)	15-40L/min
Electrical Data	
Motor Type	DC Brushless Motor
Rated Voltage	<b>12V / 24VDC</b>
No-load Current	≤2 A
Noise From 30cm	65 dB
Working Mode	Intermittent
Life Time	3000 hours
Other Data	
Inlet/Outlet Diameter	Φ4.5 mm/Φ8.3 mm
Dimensions	102x86.6x43 mm
Weight	580 g
Pump Head/Body Material	PPS
Valve Material	EPDM
Operating Environment Temperature	5-45 °C



### Features

- Miniature piston air vacuum pump, small size , maintenance-free
- Precise production, oilless, high flow, high pressure
- Brushless motor, operation life of more than 3000 hours.

### Dimensional Outline Drawing (Unit:mm)



### Accessories Optional

Check Valve, Silicone Shock Bracket, Muffler



### Usage and Attention

- 1.Red point or red wire on motor marked as Positive pole; Black wire on motor marked as negative pole.
- 2.Expected lifetime: approx 5000 hours with continuous running under condition of rated voltage and normal temperature (25 °C), it is recommended to work continuously for no more than 2 hours each time.
3. Please do not exceed the maximum specifications required , Otherwise we don't guarantee the product.
4. This product does not guarantee lifetime and defective products due to get into of dust, water droplets, bugs.
5. Impurities in prohibited from entering the motor and water droplets, In order to avoid to cause product performance unstable and damage products.

# 7 Series - Small Piston Vacuum Pump

## Model:BD-07V-M / BD-07A-M

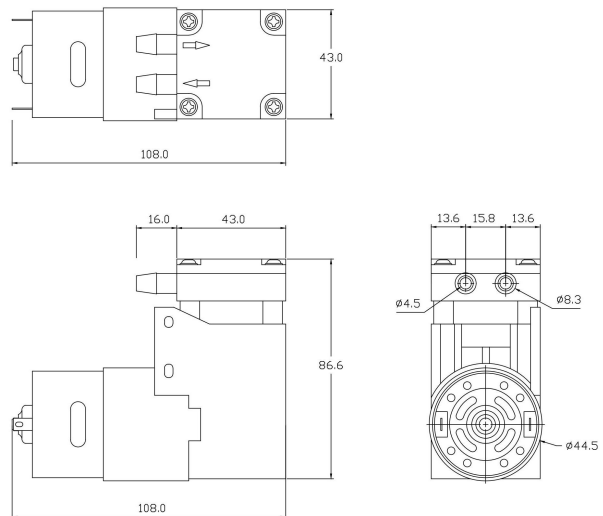
Pneumatic Data	
Maximum Vacuum	-80~-85 kPa
Maximum Pressure	4.5-6.5bar
Maximum Flow(@0 kPa)	15-40L/min
Electrical Data	
Motor Type	DC Brush Motor
Rated Voltage	<b>12V / 24VDC</b>
No-load Current	≤ 4 A
Noise From 30cm	70 dB
Working Mode	Intermittent
Life Time	1000 hours
Other Data	
Inlet/Outlet Diameter	Φ4.5 mm/Φ8.3 mm
Dimensions	108x86.6x43 mm
Weight	580 g
Pump Head/Body Material	Aluminum alloy/PPS
Valve Material	High temperature and pressure resistance
Operating Environment Temperature	5-45°C



### Features

- Miniature piston air vacuum pump, small size , maintenance-free
- Precise production, oilless, high flow, high vacuum
- Brush motor, operation life of more than 1000 hours.

### Dimensional Outline Drawing (Unit:mm)



### Accessories Optional

Check Valve, Silicone Shock Bracket, Muffler



### Usage and Attention

- 1.Red point or red wire on motor marked as Positive pole; Black wire on motor marked as negative pole.
- 2.Expected lifetime: approx 5000 hours with continuous running under condition of rated voltage and normal temperature (25°C), it is recommended to work continuously for no more than 2 hours each time.
3. Please do not exceed the maximum specifications required , Otherwise we don't guarantee the product.
4. This product does not guarantee lifetime and defective products due to get into of dust, water droplets, bugs.
5. Impurities in prohibited from entering the motor and water droplets, In order to avoid to cause product performance unstable and damage products.

# 7 Series - Small Piston Vacuum Pump

## Model:BD-07VB-M/BD-07AB

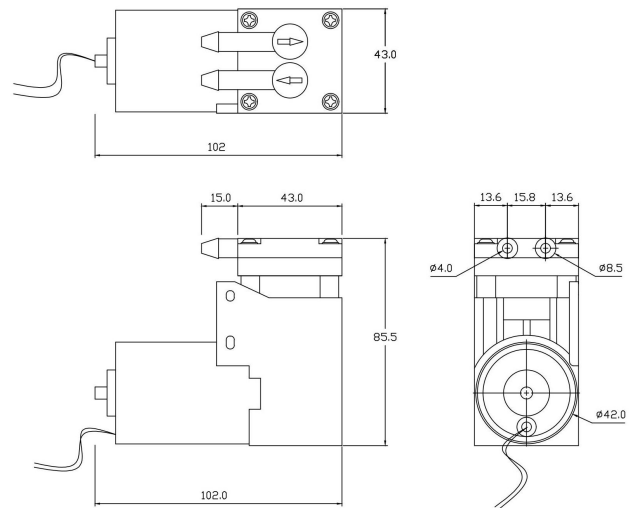
Pneumatic Data	
Maximum Vacuum	-80~-85 kPa
Maximum Pressure	4.5-6.5bar
Maximum Flow(@0 kPa)	15-40L/min
Electrical Data	
Motor Type	DC Brushless Motor
Rated Voltage	<b>12V / 24VDC</b>
No-load Current	≤4 A
Noise From 30cm	70 dB
Working Mode	Intermittent
Life Time	3000 hours
Other Data	
Inlet/Outlet Diameter	Φ4.0 mm/Φ8.5 mm
Dimensions	102x85.5x43 mm
Weight	580 g
Pump Head/Body Material	Aluminum alloy/PPS
Valve Material	High temperature and pressure resistance
Operating Environment Temperature	5-45℃



### Features

- Miniature piston air vacuum pump, small size , maintenance-free
- Precise production, oilless, high flow, high vacuum
- Brushless motor, operation life of more than 3000 hours.

### Dimensional Outline Drawing (Unit:mm)



### Accessories Optional

Check Valve, Silicone Shock Bracket, Muffler



### Usage and Attention

- 1.Red point or red wire on motor marked as Positive pole; Black wire on motor marked as negative pole.
- 2.Expected lifetime: approx 5000 hours with continuous running under condition of rated voltage and normal temperature (25℃), it is recommended to work continuously for no more than 2 hours each time.
3. Please do not exceed the maximum specifications required , Otherwise we don't guarantee the product.
4. This product does not guarantee lifetime and defective products due to get into of dust, water droplets, bugs.
5. Impurities in prohibited from entering the motor and water droplets, In order to avoid to cause product performance unstable and damage products.

# 79 Series - Small Piston Air / Vacuum Pump

## Model:BD-79V-M / BD-79A-M

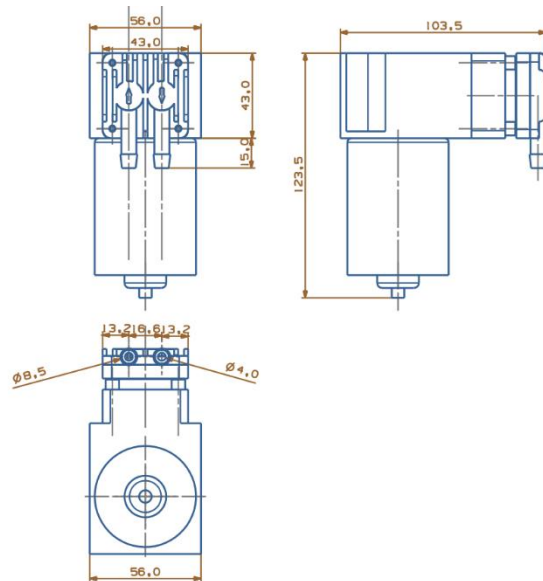
Pneumatic Data	
Maximum Vacuum	-85 kPa
Maximum Pressure	5-7bar
Maximum Flow(@0 kPa)	40-50L/min
Electrical Data	
Motor Type	DC Brush Motor
Rated Voltage	<b>12V / 24V DC</b>
No-load Current	≤6 A
Noise From 30cm	70 dB
Working Mode	Intermittent
Life Time	1000 hours
Other Data	
Inlet/Outlet Diameter	Φ8.5 mm/Φ4.0 mm
Dimensions	123.5x103.5x56 mm
Weight	800 g
Pump Head/Body Material	Aluminum alloy/PPS
Valve Material	High temperature and pressure resistance
Operating Environment Temperature	5-45℃



### Features

- Miniature piston air vacuum pump, small size , maintenance-free
- Precise production, oilless, high flow, high vacuum
- Brush motor, operation life of more than 1000 hours.

### Dimensional Outline Drawing (Unit:mm)



### Accessories Optional

Check Valve, Filter, Muffler



### Usage and Attention

- 1.Red point or red wire on motor marked as Positive pole; Black wire on motor marked as negative pole.
- 2.Expected lifetime: approx 5000 hours with continuous running under condition of rated voltage and normal temperature (25℃), it is recommended to work continuously for no more than 2 hours each time.
3. Please do not exceed the maximum specifications required , Otherwise we don't guarantee the product.
4. This product does not guarantee lifetime and defective products due to get into of dust, water droplets, bugs.
5. Impurities in prohibited from entering the motor and water droplets, In order to avoid to cause product performance unstable and damage products.