

7 Series - Small Piston Air Pump

Model:BD-07A-M 40L

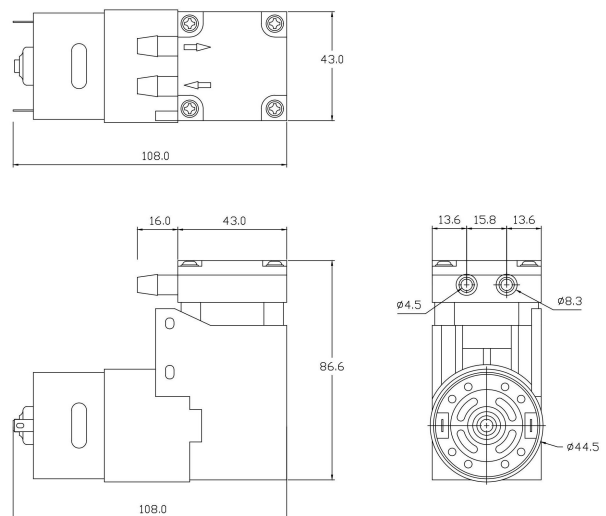
Pneumatic Data	
Maximum Pressure	6.5 bar (650kPa/-0.0650Mpa)
Maximum Flow(@0 kPa)	40L/min
Electrical Data	
Motor Type	DC Brush Motor
Rated Voltage	12V DC
No-load Current	≤4 A
Noise From 30cm	75 dB
Working Mode	Intermittent
Life Time	1000 hours
Other Data	
Inlet/Outlet Diameter	Φ4.5 mm/Φ8.3 mm
Dimensions	108x86.6x43 mm
Weight	580 g
Pump Head/Body Material	Aluminum alloy/PPS
Valve Material	High temperature and pressure resistance
Operating Environment Temperature	5-45 °C



Features

- Miniature piston air vacuum pump, small size , maintenance-free
- Precise production, oilless, high flow, high pressure
- Brush motor, operation life of more than 1000 hours.

Dimensional Outline Drawing (Unit:mm)



Accessories Optional

Check Valve, Silicone Shock Bracket, Muffler



Usage and Attention